



**FIRE Retardants Inc.**<sup>TM</sup>

*The Decision You Make May Save A Life!*

123 Columbia Court North • Suite 201 • Chaska, MN 55318

952-448-7377 • FAX: 952-448-2613

Fire Retardant "HOT LINE" 1-800-913-9385

e-mail: [info@fireretardantsinc.com](mailto:info@fireretardantsinc.com)

Visit Our Web Site at [www.fireretardantsinc.com](http://www.fireretardantsinc.com)



**3M**

# Fire Barrier

## Cast-In Device Metal Deck Adapter

### Product Data

#### 1. Product Description

3M™ Fire Barrier Cast-In Device Metal Deck Adapter (3M MDA) is a one-piece plastic body assembly with many unique features. The 3M MDA is for use with metal or plastic pipes and all steel decks with minimum 2-1/2 in. concrete topping.

3M MDA is used primarily in new installations and is designed to accommodate pipe sizes from 1-1/2 in. to 4 in. at this time.

3M MDA, when used in conjunction with the 3M CID, achieves up to 2 hr. F and T Ratings when tested by Underwriters Laboratories, Inc. in accordance with ASTM E 814 (UL 1479).

#### 3M Fire Barrier MDA Features

- Easy installation, annular space allows for easier pipe installation.
- One piece.
- All plastic construction, no cardboard.
- 3M CID snaps in place on 3M MDA, no additional fastening required (The 3M CID may be screwed to the 3M MDA for a tight fit).
- Red color-easily identified as a fire rated device.
- Factory made, assures consistent quality.

#### 2. Applications

3M Fire Barrier Cast-In Device Metal Deck Adapter (3M MDA) is used to adapt 3M CIDs for use

on fluted steel pan decks with minimum 2-1/2 in. concrete topping. The adapter may be used with plastic or metal 3M CIDs. It may be used with drain, waste and vent or closed pipe systems. See manufacturer's instruction sheet supplied with each device for exact size of pipes covered and metal deck openings.

#### 3. Physical Properties

See Attached Tables

#### 4. Specifications

Installation shall be in strict accordance with manufacturers written instructions, as shown on approved shop drawings.

The device shall also be classified by Underwriters Laboratory Inc. as a through-penetration firestop device when tested in accordance to ASTM E 814 (UL 1479) for up to a 2 hr .rating.

All penetrations must be firestopped with a UL Classified System or device as listed in current UL Fire Resistance Directory or have approved shop drawings prior to installation.

Suitability for the intended application should be determined prior to installation.

#### 5. Performance

- UL test per ASTM E814 (UL 1479)

- UL Classified for 2 and 3 hour fire (F) rating, 1 and 3 hour temperature (T) rating. See UL Fire Resistance Directory under Through-Penetration Firestop Device (XHCR) R9629(N)

#### 6. Installation

Refer to Installation Instructions for 3M Fire Barrier Cast-In Device Metal Deck Adapter. The back page shows a typical installation.

#### 7. Maintenance

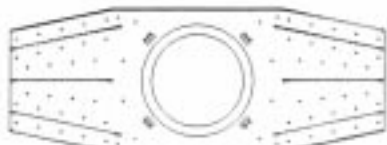
3M Fire Barrier Cast-In Device Tub Box is stable under normal storage conditions. Normal stock and stock rotation practices are recommended.

#### 8. Purchase Information

3M Fire Barrier Cast-In Device Metal Deck Adapter is available from 3M Authorized Fire Protection Distributors. For information on where to buy, go to [www.3m.com/firestop](http://www.3m.com/firestop) or call (800) 328-1687.

#### 9. Safe Handling Information

Consult Material Safety Data Sheet prior to handling and disposing of 3M Fire Barrier MDA.



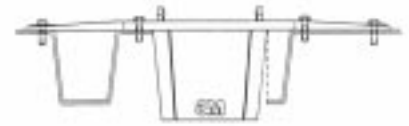
3M MDA Top View



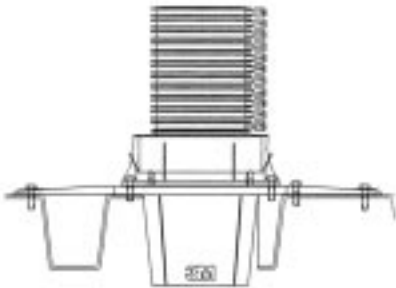
3M MDA Side View



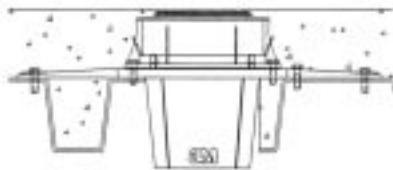
Cut opening in deck



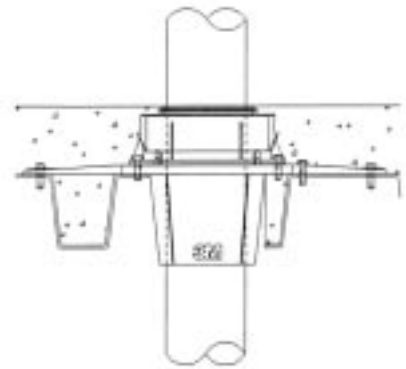
Screw 3M MDA to deck



Snap CID onto MDA



Adjust CID to desired height and pour concrete



Install pipe to complete

**Warranty and Limited Remedy.** This product will be free from defects in material and manufacture for a period of ninety (90) days from date of purchase. **3M MAKES NO OTHER WARRANTIES INCLUDING, BUT NOT LIMITED TO, ANY IMPLIED WARRANTY OF MERCHANTABILITY OR FITNESS FOR A PARTICULAR PURPOSE.** User is responsible for determining whether the 3M product is fit for a particular purpose and suitable for user's method of application. If this 3M product is proved to be defective within the warranty period stated above, your exclusive remedy and 3M's sole obligation shall be, at 3M's option, to replace or repair the 3M product or refund the purchase price of the 3M product.

**Limitation of Liability** Except where prohibited by law, 3M will not be liable for any loss or damages arising from the use of this 3M product, whether direct, indirect, special, incidental or consequential, regardless of the legal theory asserted, including warranty, contract, negligence or strict liability.



Consumer Safety and Light Management Department

Printed in U.S.A  
©3M 2003 98-0213-4312-8



123 Columbia Court North • Suite 201 • Chaska, MN 55318  
952-448-7377 • FAX: 952-448-2613  
Fire Retardant "HOT LINE" 1-800-913-9385